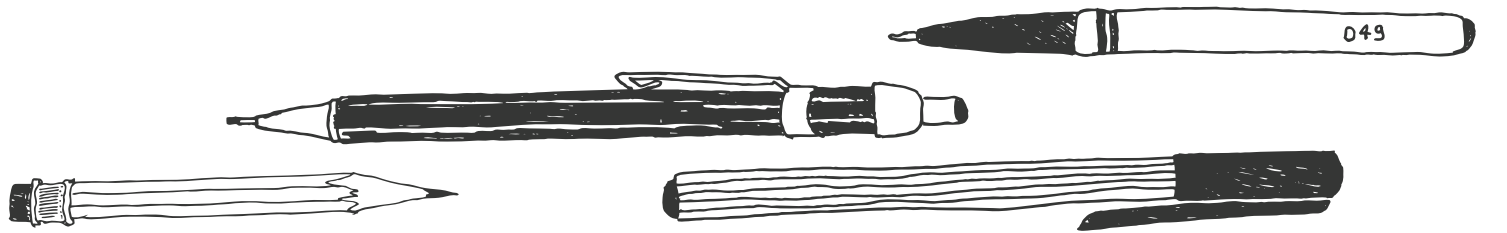


Name: _____





Measuring in centimetres

Eddie used a centimetre ruler to measure the lengths of some pens and pencils.



not to scale

Complete the table to show the length of each item.

Item	Length (cm)
	
	
	
	

For these questions use the measurements from the table.

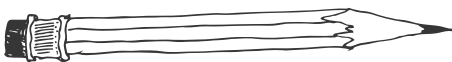
Question 1

Eddie is the same height as 14 of these pens placed end to end. How tall is Eddie? _____



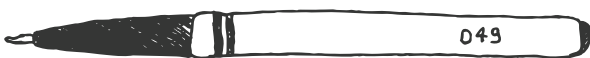
Question 2

Eddie cut this pencil in half. What is the length of each half? _____



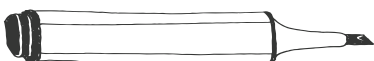
Question 3

Eddie drew a line that is twice as long as this pen. How long is the line? _____



Question 4

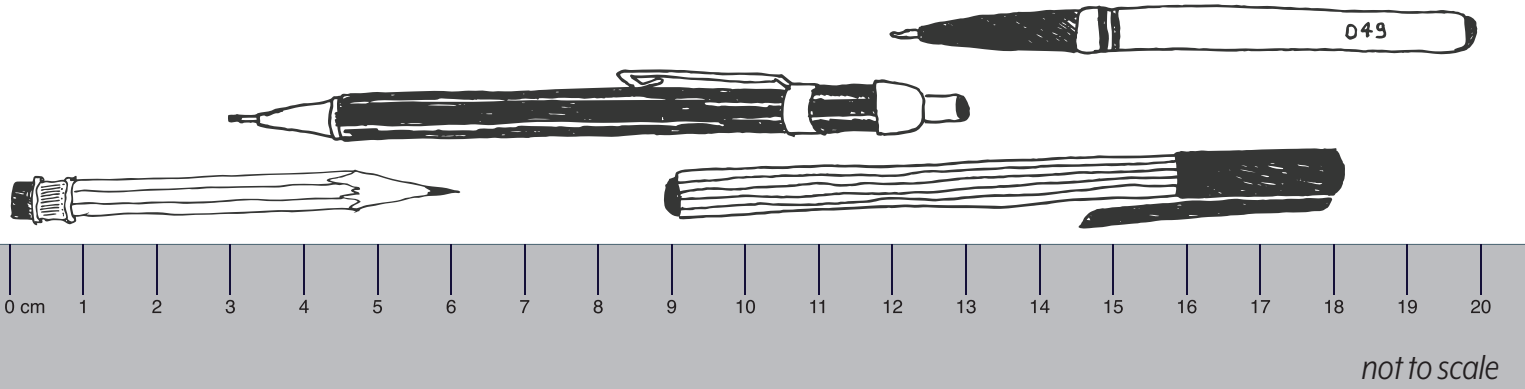
This marker has a length of 5 centimetres. How many markers placed end to end can be placed on the ruler between 0 and 20 centimetres? _____







Name: _____

Measuring in centimetres

Eddie used a centimetre ruler to measure the lengths of some pens and pencils.



Complete the table to show the length of each item.

Item	Length (cm)
	6
	10
	9
	8

For these questions use the measurements from the table.

Question 1

Eddie is the same height as 14 of these pens placed end to end. How tall is Eddie? 140 cm



Question 2

Eddie cut this pencil in half. What is the length of each half? 3 cm



Question 3

Eddie drew a line that is twice as long as this pen. How long is the line? 16 cm



Question 4

This marker has a length of 5 centimetres. How many markers placed end to end can be placed on the ruler between 0 and 20 centimetres? 4

