

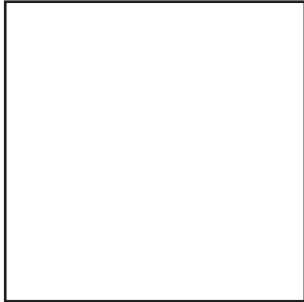
Name: _____

The shapes are not drawn to scale.

1) Calculate the area of the square and rectangle.

a)

4 cm



area =

b)

7 cm

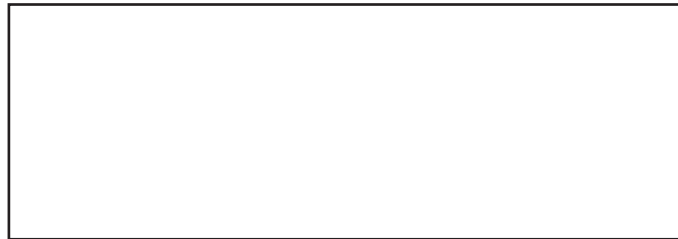


4 cm

area =

2) What is the length of each side of a square with an area of 25 square centimetres?

3) Label the lengths of each side of this rectangle with an area of 27 square centimetres.



4) Draw and label the sides of two different rectangles, each with an area of 16 square centimetres.

Name: _____

5) Jack wants to lay carpet in his bedroom.

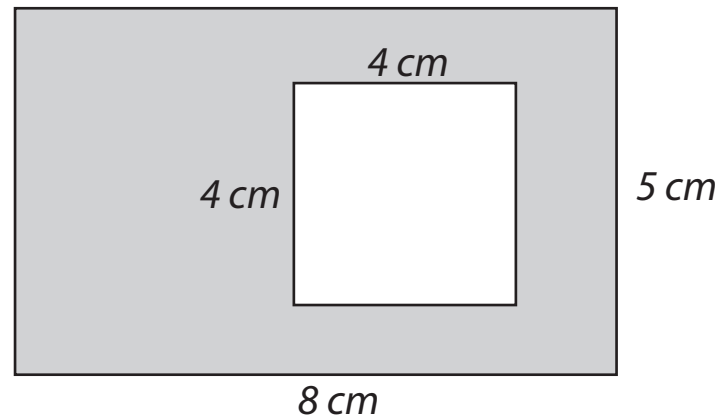
a) How much carpet will Jack need if the room is 4 m long by 5 m wide? _____

b) The carpet that Jack wants to lay costs \$50 per square metre.

What will be the total cost of the carpet? _____

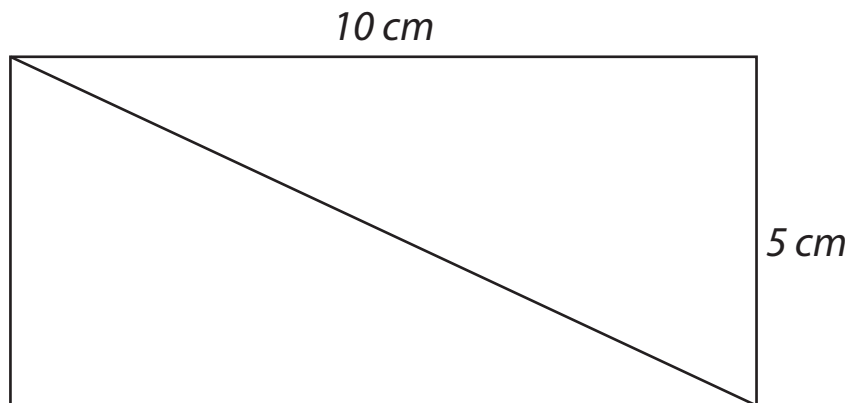
6) The length and width of both shapes are shown.

What is the area of the part shaded grey? _____



7) A line is drawn from each corner of this rectangle to create two triangles.

What is the area of each triangle? _____



8) Both a square and a rectangle have the same area.

The rectangle is 9 m long by 4 m wide.

What is the length of each side of the square? _____